

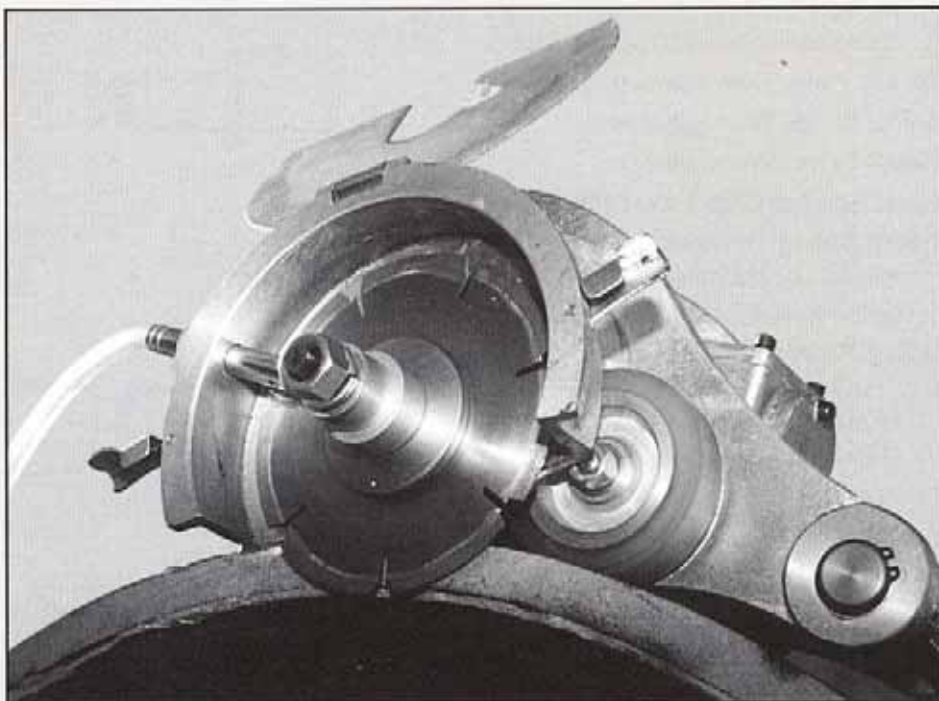
WACHS

UTILITY PIPE CUTTER

MODEL UPC (6" to 24" PIPE)

*A high-speed abrasive pipe cutter exclusively designed for in-line, underground utility pipe from 6" to 24". Easily cuts **cast iron, ductile iron, clay, PVC, aluminum, fiberglass and C-900 Plastic Pipe***

- High speed, water cooled, diamond blade cuts square every time
- Weighs only 17 pounds
- Drive motor engages and disengages fast
- Quick and easy pipe mount; just wrap hook and tension
- Only 1 wrench required for set-up and operation
- Convenient pump tank delivers cooling water to blade through guard nozzle



- Machine is self driven around pipe
- Ensures continuous cuts at maximum cutting speed
- Constant feed rate extends blade life
- Eliminates operator fatigue and back injuries typically associated with manually operated machines
- Power feed is engaged and disengaged with convenient finger trip lever

Set Up and Cut in Only Minutes

- Simple set-up for one man in less than 5 minutes
- "Quick Connect" threaded motor drive assembly installs conveniently without tools
- Minimal operator training is required
- Takes only one minute per diameter inch

Ideal for Work in the Trenches

- Lightweight, compact nature allows for convenient handling in tight excavations
- "Slim" design requires only 8" of radial clearance
- Operates pneumatically, hydraulically or using a portable gasoline engine with flexible shaft drive
- Pivoting multiposition drive allows unencumbered rotation



SPECIFICATIONS

Capacity: 6" through 24" pipe*

Machinable Materials: Cast iron, ductile iron, clay, PVC, aluminum, fiberglass and C-900 plastic pipe

Set Up Time: Less than 5 minutes

Cutter Drive: Worm gear box

Travel Drive: Worm gear box

Blade Speed: 1200-1500 RPM

Travel Speed: Approximately one minute per diameter inch or 3 circumferential inches per minute

Drives/Power Requirements:

- Pneumatic - 100 CFM @ 90 PSI
- Hydraulic - 8 GPM @ 1500 PSI
- Gasoline - 5 HP @ 3000 RPM

Controls:

- Motor on/off valve
- Travel on/off lever

Dimensions: See diagram

Clearance: Radial - 8", Axial - 16"

Construction: Cast aluminum gear box and main frame. Steel worm gears and drive shafts.

Finish: Brushed aluminum

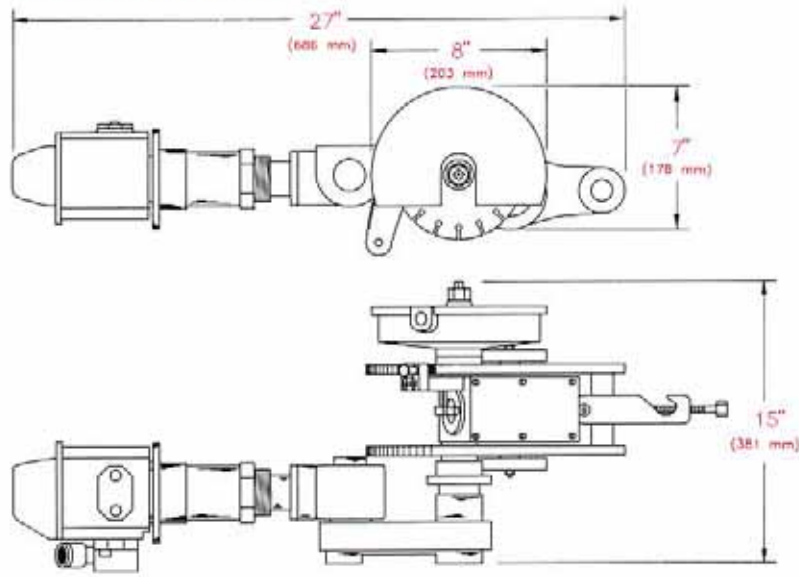
Chain: Roller chain with hook connection

Chain Sections	Section Length	Pipe Range
Standard	26"	6"-10"
Standard	36"	10"-24"

Blades:

5"	For pipe sizes up to 16"
6"	For pipe sizes up to 24"

Both available in either high or low density diamond abrasive



Weights

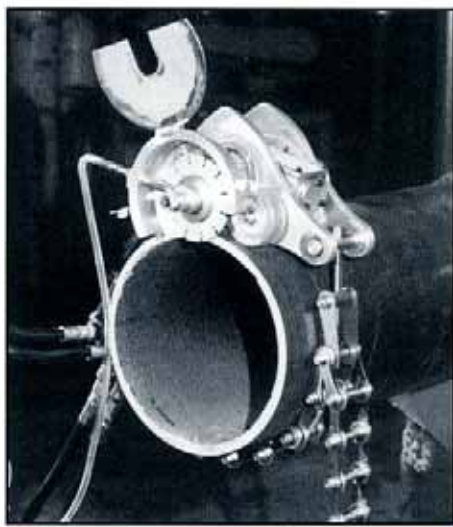
	Gas	Hyd.	Pneumatic
Machine	17.6	17.6	17.6
Flex Shaft	40 lbs.	N/A	N/A
Drive Motor	60 lbs.	15 lbs.	12 lbs.

Standard Equipment

- Air model: Pneumatic drive assembly
- Hydraulic model: Hydraulic drive assembly
- Gas model: 5 HP gasoline engine with 10' flexible drive shaft
- Mounting chain sections to 24" (1-24" length, 1-36" length)
- Steel storage case
- Operating tools
- Operating Manual
- Blade guard
- Water nozzle

Optional Equipment

- Water delivery system: 4-gallon tank, hand pump and hose
- Guide chain (guide tracking system) for 6" through 24" pipe
- 60° champhering blades



*Consult factory for pipe diameters over 24"

Wachs Complete Line of Portable, Powered Tools for Pipes and Valves

CUT AND BEVEL PIPE.
7 tools. Cut/bevel all pipe schedules and sizes including heavywall, plus large vessels.

END PREP PIPE.
7 tools for fast, accurate end preps. All pipe schedules and sizes. 7/8" tube, 38" pipe. (22-915 mm)

STATIONARY AND PORTABLE HYDRAULIC POWER UNITS. To operate any Wachs hydraulic tools.

OPERATE VALVES. 4 operators. All rising and non-rising stem valves. Gate valves to 60" (1525 mm). Hand-held and truck mounted.

VALVE BOX CLEANOUT SYSTEMS. 2 separate systems. One for Buffalo and Valve Box cleanout and one for heavy duty cleanout and excavation.



THE WACHS COMPANIES
100 Shepard St., Wheeling, Illinois 60090
FAX: (847) 520-1147 • (800) 922-4755
*(847) 537-8800 Worldwide
(800) 323-8185 in the USA
VISIT OUR WEB SITE @ <http://www.wachscen.com>